

L.E.S. Series HCW "Scotch Box" Boilers

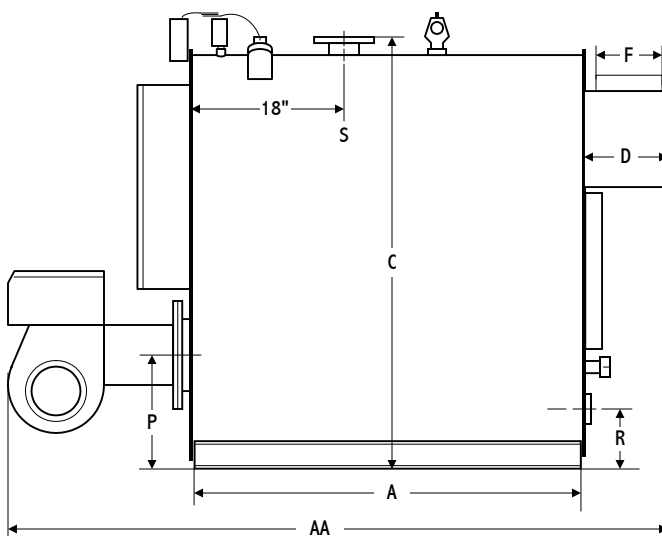
3-Pass Firetube • 30, 40, or 80 psi Water • 83% Efficiency • 4 sq.ft. Waterside Heating Surface per BHP

Series HCW RATINGS // DATA // DIMENSIONS

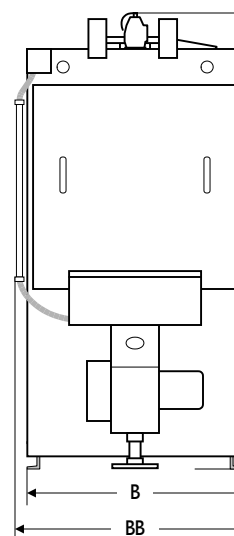
Model: HCW-	3060	3350	3650	3680	4000	4140	3500H	3680H	4000H
Input									
Gas (MB/CF) CFH	3685	4035	4400	4430	4820	4990	4220	4430	4820
Oil (140MB/Gal) GPH	26.3	28.8	31.4	31.6	34.4	35.6	30.1	31.6	34.4
Output									
MBH	3060	3350	3650	3680	4000	4140	3500	3680	4000
Boiler Horsepower	91.4	100.1	109.0	109.9	119.5	123.7	104.6	109.9	119.5
Gas Burner Motor HP	3.0	3.0	3.0	3.0	5.0	5.0	3.0	3.0	5.0
Oil Burner Motor HP	3.0	3.0	5.0	5.0	5.0	5.0	5.0	5.0	5.0
SQ.FT. Heating Surface									
Primary	41.0	46.5	46.4	51.9	51.8	51.8	46.5	51.9	51.8
Total Fireside	335	361	392	397	427	448	373	397	427
Total Waterside	366	400	435	440	474	498	413	440	474
Boiler Data									
Furnace Vol. (CU.FT.)	17.4	20.3	20.3	23.2	23.2	23.2	20.3	23.2	23.2
Water Cap. (Gal; Full)	262	312	302	361	351	345	308	361	351
Dry Weight (LBS)	3375	3950	4000	4375	4450	4525	4275	4625	4750
Dimensions in Inches									
A Skid Length	59	68	68	78	78	78	68	78	78
AA Overall Length	108	120	120	132	132	132	120	132	132
B Width	34	34	34	34	34	34	34	34	34
BB Trimmed Width (Std)	36	36	36	36	36	36	36	36	36
C Height	78	78	78	78	78	78	78	78	78
CC Trimmed Height	86	86	86	86	86	86	86	86	86
D Rear Smokebox Depth	16	16	16	16	16	16	16	16	16
F Flue Connection Size	12	12	12	12	12	12	12	12	12
Flue Connection Height	68	68	68	68	68	68	70	70	70
P Burner Port Height	20	20	20	20	20	20	20	20	20
Burner Port ID	14½	14½	14½	14½	14½	14½	14½	14½	14½
R Return Size (NPT)	4	4	4	4	4	4	4	4	4
Return Height	10½	10½	10½	10½	10½	10½	10½	10½	10½
S Supply Size (*=Flange)	4*	4*	4*	4*	4*	4*	4*	4*	4*
Supply Height	78	78	78	78	78	78	78	78	78

Models designated "H" available for 40 or 80 psi service.

Side View



Front View



Rear View

