

L.E.S. Series HCW High Capacity "Scotch Box" Boilers

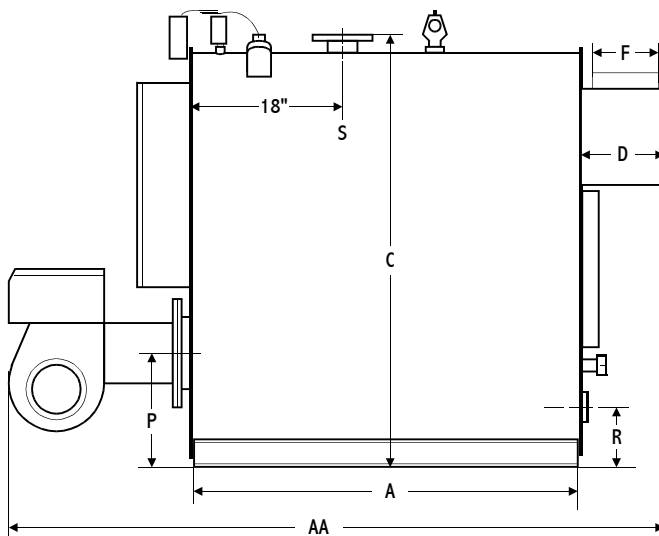
3-Pass Firetube • Minimum Footprint Water • 83% Efficiency • 4 sq.ft. Waterside Heating Surface per BHP

Ratings/Data/Dimensions

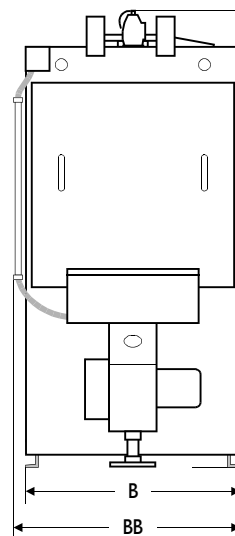
Model: HCW-	3060	3350	3650	3680	4000	4140		3500H	3680H	4000H
Input										
Gas (MB/CF) CFH	3685	4035	4400	4430	4820	4990		4220	4430	4820
Oil (140MB/Gal) GPH	26.3	28.8	31.4	31.6	34.4	35.6		30.1	31.6	34.4
Output										
MBH	3060	3350	3650	3680	4000	4140		3500	3680	4000
Boiler Horsepower	91.4	100.1	109.0	109.9	119.5	123.7		104.6	109.9	119.5
Gas Burner Motor HP	3.0	3.0	3.0	3.0	5.0	5.0		3.0	3.0	5.0
Oil Burner Motor HP	3.0	3.0	5.0	5.0	5.0	5.0		5.0	5.0	5.0
SQ.FT. Heating Surface										
Primary	41.0	46.5	46.4	51.9	51.8	51.8		46.4	51.9	51.8
Total Fireside	335	360	392	396	427	448		373	396	427
Total Waterside	371	399	434	439	473	497		414	439	473
Boiler Data										
Furnace Vol. (CU.FT.)	17.4	20.3	20.3	23.2	23.2	23.2		20.3	23.2	23.2
Water Cap. (Gal; Full)	259	311	301	359	350	343		307	359	350
Dry Weight (LBS)	3375	3950	4000	4375	4450	4525		4275	4625	4750
Dimensions in Inches										
A Skid Length	59	68	68	78	78	78		68	78	78
AA Overall Length	119	128	134	144	144	144		134	144	144
B Width	34	34	34	34	34	34		34	34	34
BB Trimmed Width (Std)	36	36	36	36	36	36		36	36	36
C Height	76	76	76	76	76	76		76	76	76
CC Trimmed Height	81	81	81	82	82	82		81	82	82
D Rear Smokebox Depth	16	16	16	16	16	16		16	16	16
F Flue Connection Size	12	12	12	12	12	12		12	12	12
Flue Connection Height	68	68	68	68	68	68		70	70	70
P Burner Port Height	20	20	20	20	20	20		20	20	20
Burner Port ID	14½	14½	14½	14½	14½	14½		14½	14½	14½
R Return Size (NPT)	4	4	4	4	4	4		4	4	4
Return Height	10½	10½	10½	10½	10½	10½		10½	10½	10½
S Supply Size (*=Flange)	4*	4*	4*	4*	4*	4*		4*	4*	4*
Supply Height	76	76	76	76	76	76		76	76	76

30 psi design pressure except HCW-3500H/3680H/4000H [40 psi standard; 80 psi available].

Side View



Front View



Rear View

